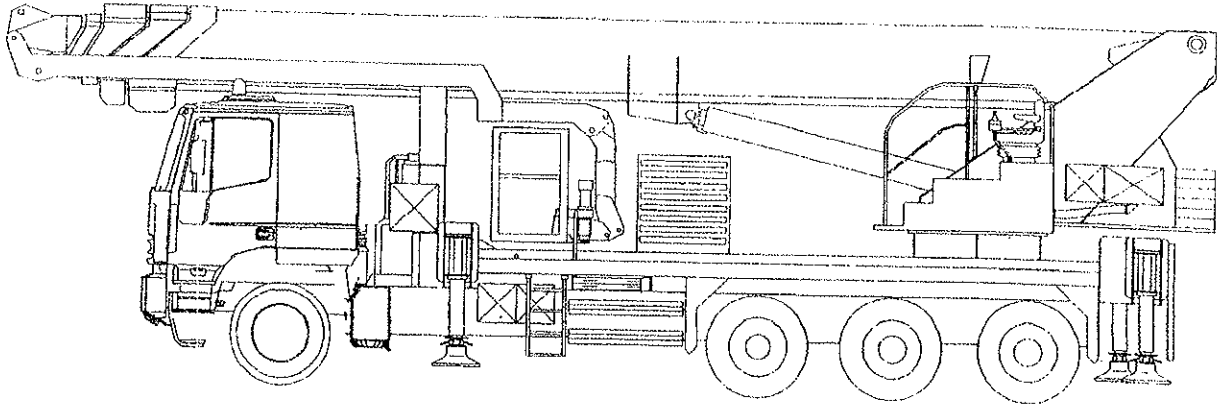


WUMAG WT 580

3 TECHNICAL DESCRIPTION

3.1 Technical Details

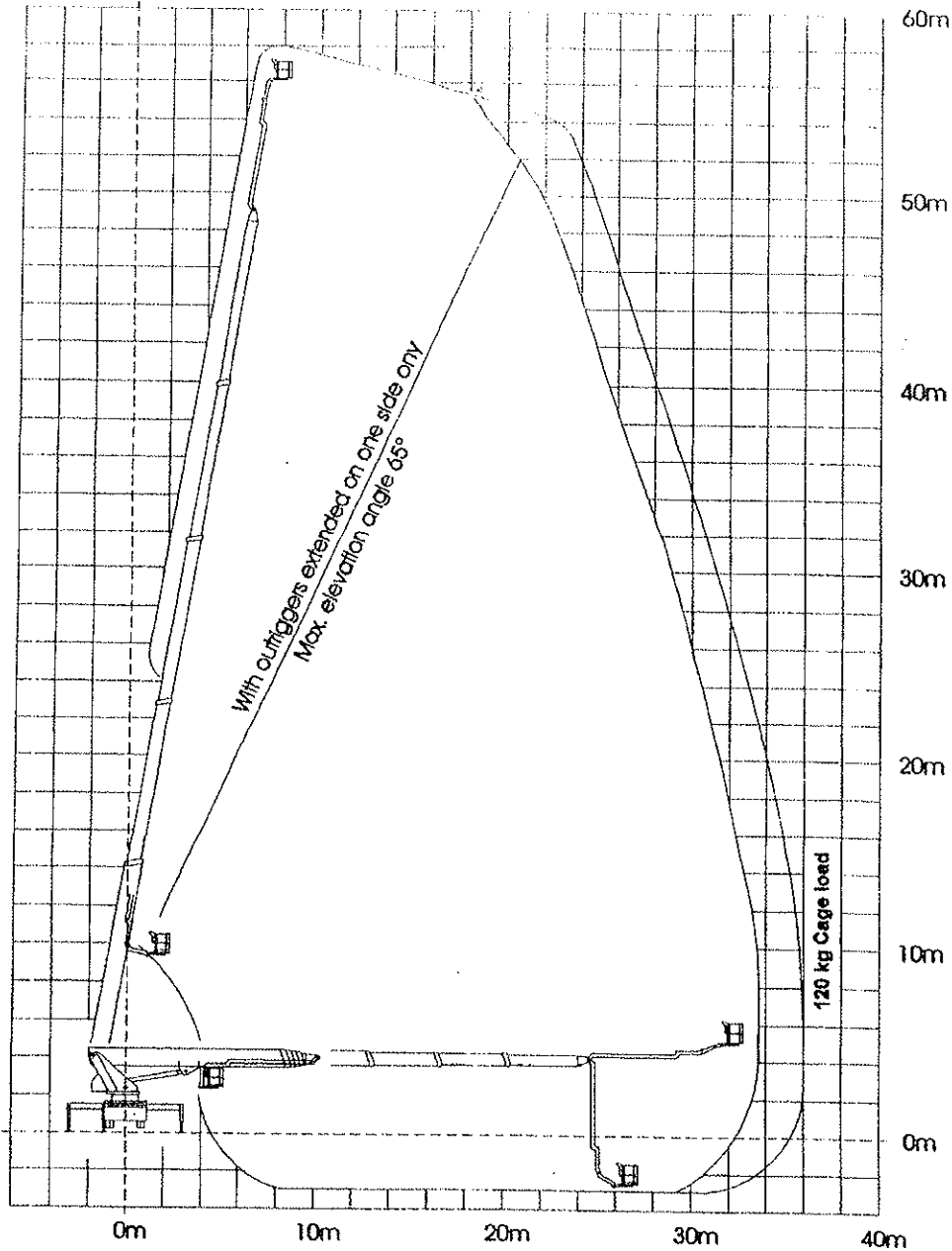


3.1.1 Main Dimensions

Height, overall	m	3,90
Length, overall (in driving mode)	m	12,50
Width, overall	m	2,50
Outriggers withdrawn	m	2,28
Outriggers extended (both sides)	m	6,20
Outriggers extended (one side only, R or L)	m	4,20

3.1.2 Weights

Gross Vehicle Weight	t	32,00
Elevating Work Platform Weight (without carrier vehicle)	t	22,00
Maximum Permissible Cage Load	kg	400



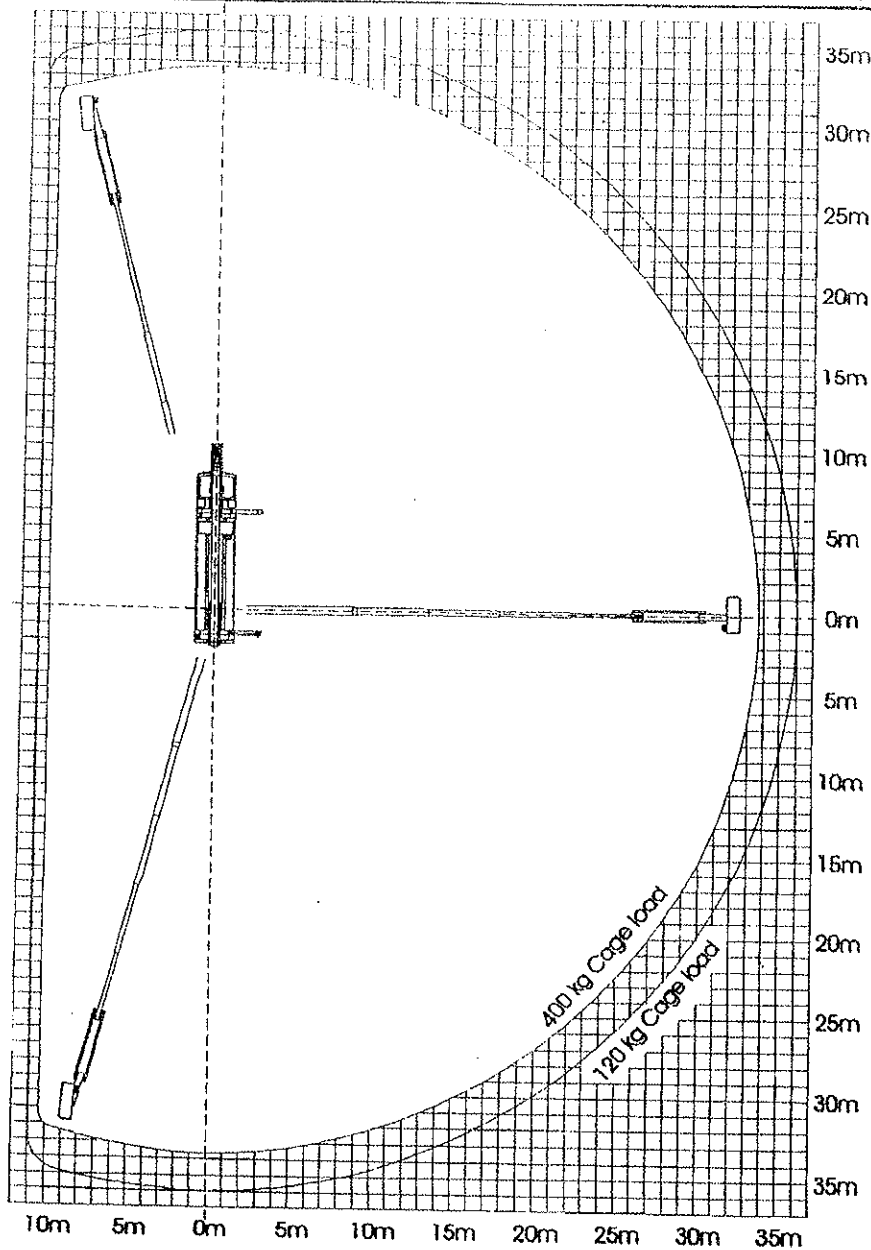
3.1.3 Sideways Working Range

Platform Height	approx.	m	56,00
Working Height	up to	m	58,00
thereby sideways reach	approx.	m	7,00

Sideways working range (relative to stabilizer mode)

Outriggers extended with 120 kg cage load	up to approx.	m	36,00
Outriggers extended with 400 kg cage load	up to approx.	m	33,00
Max cage swivel capability	approx.		2 X 80°

WUMAG WT 580



3.1.4 Working Range- Planview

Platform Height	approx.	m	56,00
Working Height	up to	m	58,00
thereby sideways reach	approx.	m	7,00

Sideways working range (relavent to stabilizer mode)

Outriggers extended with 120 kg cage load	up to approx.	m	36,00
Outriggers extended with 400 kg cage load	up to approx.	m	33,00
Max cage swivel capability	approx.		2 X 80°