

# 600 SERIES

ARTICULATING BOOM LIFTS



## Performance

<b>Platform Height</b>		
600AJ	60 ft 7 in.	18.47 m
<b>Horizontal Outreach</b>		
600AJ	39 ft 9 in.	12.10 m
<b>Up and Over Clearance</b>		
	26 ft 7 in.	8.1 m
<b>Swing</b>		
	360 Degrees Continuous	
<b>Platform Capacity</b>		
Unrestricted	500 lb	227 kg
<b>Platform Rotator</b>		
	180 Degrees Hydraulic	
<b>Jib Range of Articulation (600AJ)</b>		
	130 Degrees (+70, -60)	
<b>Weight</b>		
600AJ	23,050 lb	10,455 kg
600AJ Narrow	24,200 lb	10,977 kg
<b>Max. Ground Bearing Pressure</b>		
600AJ	75 psi	5.27 kg/cm <sup>2</sup>
600AJ Narrow	94 psi	6.6 kg/cm <sup>2</sup>
<b>Drive Speed 2WD</b>		
	4.25 mph	6.8 kph
<b>Drive Speed 4WD</b>		
	4.25 mph	6.8 kph
<b>Gradeability 2WD</b>		
	30%	
<b>Gradeability 4WD</b>		
	45%	
<b>Axle Oscillation</b>		
	8 in.	20.4 cm
<b>Turning Radius Inside/Outside</b>		
2WS	11 ft. 5 in./17 ft. 8 in.	3.48 m/5.38 m
4WS	5 ft. 6 in./11 ft. 8 in.	1.68 m/3.56 m
<b>Narrow Models</b>		
4WS	5 ft. 7 in./11 ft. 2 in.	1.7 m/3.4 m

## Standard Specifications

### Power Source

<b>Dual Fuel Engine</b>		
GM Vortec 3000 MPFI	82 hp	61 kw
<b>Diesel Engine</b>		
Deutz D2011L04	63.3 hp	47.2 kw
<b>Fuel Tank Capacity</b>		
	30 gal.	113.6 L

### Hydraulic System

• Capacity	30.6 gal.	115.8 L
• Auxiliary Power	12V DC	

### Tires

• Standard	IN355/55D-6.25 Low Profile
• Narrow Models	14 x 17.5 Air Boss
• Optional	Foam-Filled



## Standard Features

- Oscillating Axle
- 180 Degree Hydraulic Platform Rotator
- 110V-AC Receptacle in the Platform
- 5 Degree Tilt Alarm/Indicator Light
- Swing-Out Engine Tray
- 12V-DC Auxiliary Power
- Hourmeter
- Horn
- Control ADE® System
- Proportional Controls
- Gull-Wing Engine Hood
- Platform Console Machine Status Light Panel\*
- Lifting/Tie Down Lugs
- All Motion Alarm
- Glow Plugs (Diesel Engines)

\* Provides indicator lights at platform control console for system distress, 5 degree tilt light, and foot switch status.

## Accessories & Options

- Platform: 36 x 72 in. (0.91 x 1.83 m)
- Fall Arrest Platform, Rear Entry 36 x 96 in. (0.91 x 2.44 m)
- Self-Closing Gate
- Mesh to Top Rail Bolt-on Aluminum
- Soft Touch System
- Operator Tool Tray
- 43.5 lb (19.7 kg) Propane Tank
- Cold Weather Start Kit
- Hostile Environment Kit
- Light Package
- Platform Worklights
- Flashing Amber Beacon
- Arctic Package
- Accessory Packages:
  - SkyPower®
  - SkyWelder®
  - SkyGlazier®
  - SkyCutter®
  - Pipe Rack

1. Foam-filled tires required.
2. Includes glow plugs (Diesel), battery heater, oil tank heater.
3. Includes console cover, boom wipers and cylinder bellows.
4. Includes head and tail lights, and platform worklights.
5. Includes arctic hydraulic hoses (drive and steer only) and main boom cable, arctic hydraulic oil, extreme cold engine oil, fuel conditioner, engine block heater, battery blanket, glow plugs, hydraulic tank heater, and oversized footswitch.
4. Not available on Multi-Powered models.
6. 2WD only.
7. Includes head and tail lights, and platform worklights.
8. Includes hydraulic tank heater, battery heater, and heater pad for block.

Note: Some options may increase lead time, and some option combinations may not be available.

# 600 SERIES

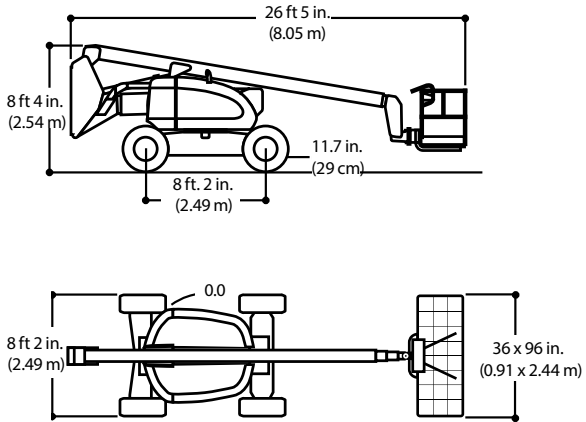
ARTICULATING BOOM LIFTS



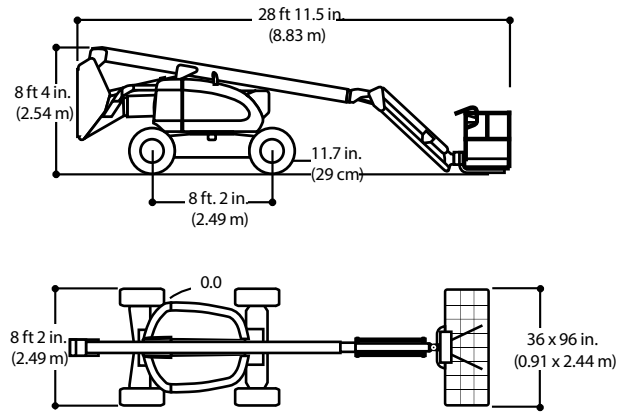
## Dimensions

All dimensions are approximate.

600A

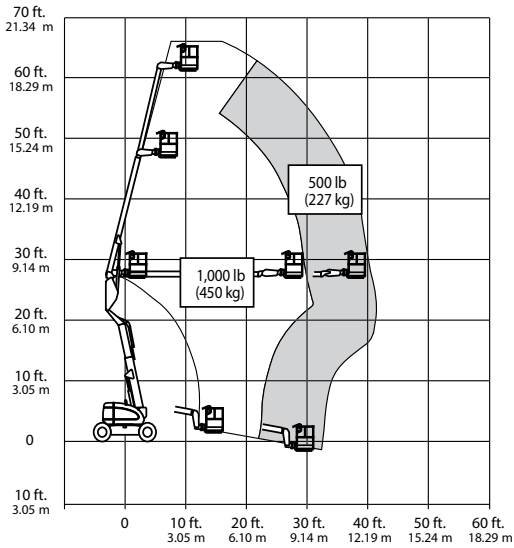


600AJ



## Reach Diagram

600A



600AJ

