

		1250AJP
Ultra Series Articulating Boom Lifts		
Reach Specifications		
Platform Height		125 ft (38.1 m)
Horizontal Reach		63 ft 2 in. (19.25 m)
Up and Over Height		60 ft 6 in. (18.44 m)
Swing		360° Continuous
Platform Capacity — Restricted		1,000 lb (454 kg)
Platform Capacity — Unrestricted		500 lb (227 kg)
Platform Rotator		180°
JibPLUS	Length	8 ft (2.44 m)
	Horizontal Motion	125°
	Vertical Motion	130° (+75/-55)

Dimensional Data

A. Platform Size		36 x 96 in. (0.91 x 2.44 m)
B. Overall Width	Axles Retracted	8 ft 2 in. (2.49 m)
	Axles Extended	12 ft 6 in. (3.81 m)
C. Tailswing		3 ft (91 cm)
D. Stowed Height		10 ft (3.05 m)
E. Overall Length	Jib Stowed	37 ft 7 in. (11.45 m)
	Jib Deployed	47 ft 6 in. (14.48 m)
F. Wheel Base		12 ft 6 in. (3.81 m)
G. Ground Clearance	Axle	12 in. (30 cm)
	Chassis	25.5 in. (65 cm)
Weight		44,000 lb (19,958 kg)

Chassis

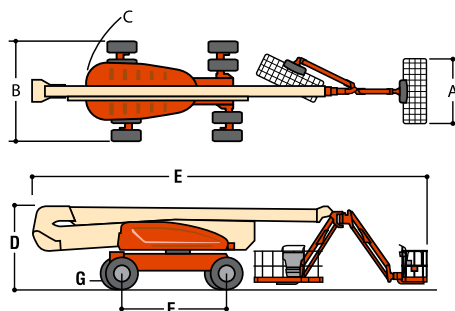
Max Ground Bearing Pressure*		100 psi (7.03 kg/cm ²)
Drive Speed		3.25 mph (5.2 km/h)
Gradeability		45%
Turning Radius (Inside)	Axles Retracted	14 ft 5 in. (4.39 m)
	Axles Extended	8 ft (2.44 m)
Turning Radius (Outside)	Axles Retracted	22 ft 6 in. (6.86 m)
	Axles Extended	19 ft 4 in. (5.89 m)
Crab Steer Ratio		1:1
Axle Oscillation		8 in. (20 cm)
Tires/Type		445/50D710 Foam Filled

Power Source

Diesel Engine	Deutz TCD2.9L4 Tier 4 Final	74.2 hp (55.4 kW)
Fuel Tank Capacity		31 gal (117 L)
Hydraulic Reservoir		53 gal (200 L)
Auxiliary Power		12V DC
Generator Nominal/Continuous		7,500 Watt

*Ground bearing pressure applies to standard tires.

1. Capacity is limited to 500 lb (227 kg) when JibPLUS is extended horizontally.
2. Certain options or country standards increase weight.
3. Ratio of forward travel to lateral travel.



Standard Features

Platform: 36 x 96 in.
(0.91 x 2.44 m) Side Entry
8 ft (2.44 m) JibPLUS Boom
Selectable Capacity Envelope
180° Hydraulic Platform Rotator
AC Receptacle in the Platform
5 Degree Tilt Alarm/Indicator Light
All Motion Alarm
Swing-Out Engine Tray
12V DC Auxiliary Power
Hourmeter
Control ADE System
Full-time 4WD
3 Selectable Steering Modes
Drive-out Extendible Axles
Oscillating Axle
Proportional Controls
Gull-Wing Hoods
445/50D710 Foam Filled Rim
Protector Lug Tread Tires
Platform Console Machine Status
Light Panel*
Lifting/Tie Down Lugs
Engine Distress Warning/Shutdown —
Selectable via JLG Analyzer

Available Options

Platform: 36 x 72 in.
(0.91 x 1.83 m) Side Entry
Fall-Arrest Platform: 36 x 96 in.
(0.91 x 2.44 m) Side Entry

Self-Closing Gate

Light Package
Flashing Beacon
Soft-Touch System Platform
6 ft/8 ft (1.83 m/2.44 m)
Clearsky (US and Canada only)
Cold Weather Start
Hostile Environment Kit
Mesh to Top Rail
Operator Tool Tray
1. Includes platform mounted work lights
and drive/backup lights.
2. Includes glow plugs, battery heater
and oil tank heater.
3. Includes console cover, boom wipers
and cylinder bellows.

Accessory Packages

SkyPower Package
7500 Watt Generator
• 240/120V Single Phase
• 240V 3 Phase
1/2 in. Air Line to Platform

SkyWelder

SkyCutter

SkyGlazier

Nite Bright

Pipe Racks

* Provides indicator lights at platform
control console for system distress, fuel
level, low fuel, 5 degree tilt light and foot
switch status.

